



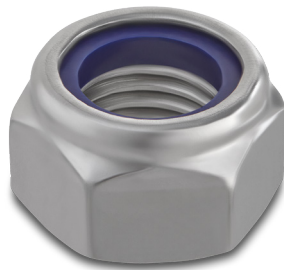
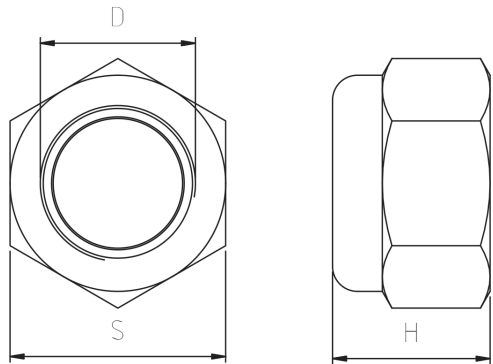
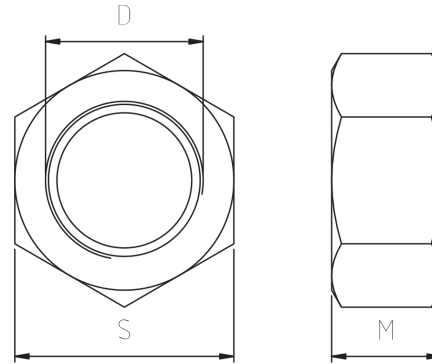


LOCKING NUTS

Norseman Gibb locking and tensioning nuts are compatible with our entire product range. They are used for both tensioning and aesthetic purposes. The stud angle adjusters for slanted balustrades or surfaces are available in different angles.

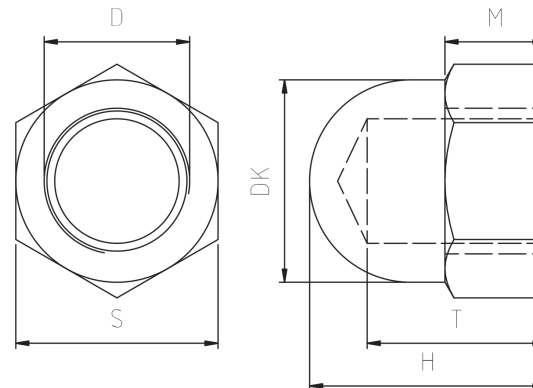
Hexagon nut			
Product no.	D	M	S
		mm	mm
FHN3	M3	2,15	5,5
FHN4	M4	2,9	7
FHN5	M5	3,7	8
FHN6	M6	4,7	10
FHN8	M8	6,14	13
FHN10	M10	7,64	17
FHN12	M12	9,64	19
FHN14	M14	10,3	22
FHN16	M16	12,3	24

Hexagon nut UNF			
Product no.	D	M	S
	UNF	mm	mm
FHN3U	1/4"	2,15	5,5
FHN4U	5/16"	2,9	7
FHN6U	3/8"	4,7	10
FHN10U	7/16"	7,64	17
FHN14U	1/2"	10,3	22
FHN16U	5/8"	12,3	24



Locking hexagon nut			
Product no.	D	H	S
		mm	mm
FLN3	M3	4	5,5
FLN4	M4	5	7
FLN5	M5	5	8
FLN6	M6	6	10
FLN8	M8	8	13
FLN10	M10	10	17
FLN12	M12	12	19
FLN14	M14	14	22
FLN16	M16	16	24

Dome hexagon nut						
Product no.	D	DK	H	M	S	T
		mm	mm	mm	mm	mm
FDN3	M3	5	6,5	2,5	5,5	4,5
FDN4	M4	6,5	8	3,2	7	5,5
FDN5	M5	7,5	10	4	8	7,5
FDN6	M6	9,5	12	5	10	8
FDN8	M8	12,5	15	6,5	13	11
FDN10	M10	16	18	8	17	13
FDN12	M12	18	22	10	19	16
FDN14	M14	21	25	11	22	18
FDN16	M16	23	28	13	24	21



Stud angle adjuster			
Product no.	TH	Ø D1	Ø D2
		mm	mm
FSAA3	M3	8	3,3
FSAA4	M4	10	4,3
FSAA5	M5	10	5,5
FSAA6	M6	13	7,3
FSAA8	M8	18	8,5
FSAA10	M10	22	10,5
FSAA12	M12	24	12,5
FSAA14	M14	24	14,5
FSAA16	M16	32	17,0

