





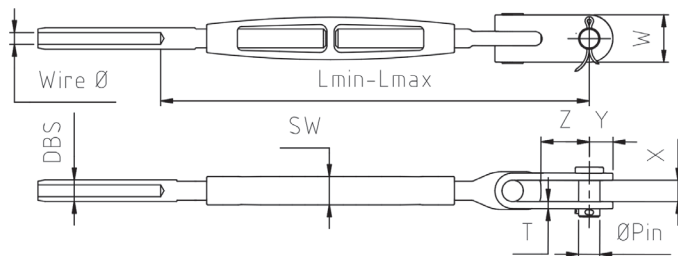
## YACHT RIGGING

Norseman Gibb is dedicated to providing the right equipment for yachts, as well as offering professional advice. We have broad experience and expertise in the field and are therefore in close contact and cooperate with a range of rigging professionals and experienced yachtsmen. From dinghy to superyacht, we provide swaging services for every diameter of wire rope or compact strand. Our swage capacity reaches from 3 mm up to 28 mm.

Open body swage - toggle turnbuckle stainless-steel components with bronze chrome body

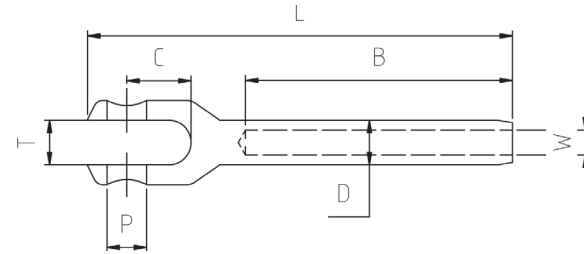
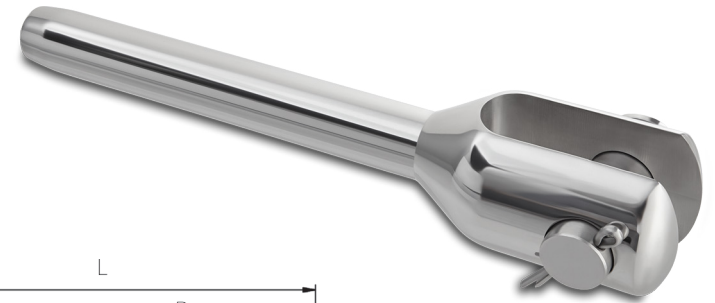
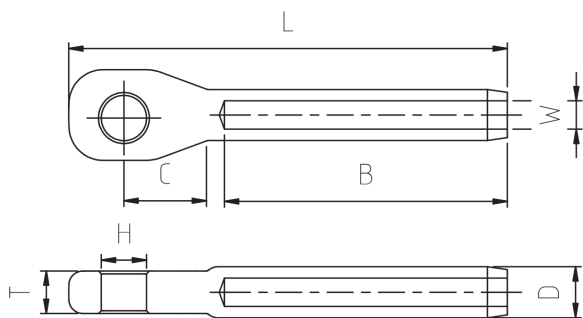
Product no.	Wire-Ø	DBS	Thread	Pin-Ø	W	X	Y	Z	SW	Lmin-Lmax	Nominal weight	MBL
	mm	mm	UNF	mm	mm	mm	mm	mm	mm	mm	kg	kg
NRSBSTF3	3	6,35	1/4"	6,4	15	7,5 ± 1,0	7,9	18,5	9,0	155 - 218	0,12	1200
NRSBSTF4	4	7,50	5/16"	7,9	20	9,0 ± 1,0	10,4	28,5	11,0	191 - 270	0,20	1710
NRSBSTF5S	5	9,11	5/16"	7,9	20	9,0 ± 1,0	10,4	28,5	11,0	193 - 270	0,21	2290
NRSBSTF5M	5	9,11	3/8"	9,5	25	11,0 ± 1,0	12,9	33,5	13,4	218 - 298	0,32	2660
NRSBSTF6S	6	12,55	3/8"	9,5	25	11,0 ± 1,0	12,9	33,5	13,4	226 - 316	0,39	3650
NRSBSTF6M	6	12,55	7/16"	11,0	25	13,0 ± 1,0	12,9	34,0	15,1	252 - 343	0,53	4500
NRSBSTF7S	7	14,30	7/16"	11,0	25	13,0 ± 1,0	12,9	34,0	15,1	250 - 353	0,53	4750
NRSBSTF7M	7	14,30	1/2"	12,7	30	14,0 ± 1,0	15,4	39,0	17,4	271 - 375	0,73	5650
NRSBSTF8S	8	16,13	1/2"	12,7	30	14,0 ± 1,0	15,4	39,0	17,4	274 - 384	0,76	5910
NRSBSTF8M	8	16,13	5/8"	12,7	30	14,0 ± 1,0	15,4	38,0	20,7	328 - 448	1,08	8450
NRSBSTF10S	10	17,85	5/8"	15,9	40	17,5 ± 1,0	20,6	39,9	20,7	327 - 470	1,36	9275
NRSBSTF10M	10	17,85	3/4"	15,9	40	17,5 ± 1,0	20,6	37,0	25,4	376 - 526	1,91	9275
NRSBSTF12	12	20,00	3/4"	19,0	50	21,5 ± 1,0	25,6	53,5	25,4	399 - 561	2,17	10810
NRSBSTF14	14	25,00	7/8"	22,2	60	24,0 ± 1,0	30,6	67,5	29,8	474 - 668	3,83	16430
NRSBSTF16	16	28,20	1"	25,4	60	28,0 ± 1,0	30,6	64,0	43,0	530 - 686	5,91	21350
NRSBSTF19	19	34,50	1 1/8"	28,6	70	31,5 ± 1,0	35,6	72,0	46,0	623 - 878	8,53	28105
NRSBSTF22	22	40,50	1 1/4"	31,8	80	36,5 ± 1,0	40,6	82,0	51,8	625 - 810	11,38	35185
NRSBSTF26	26	46,20	1 1/2"	34,9	90	42,0 ± 1,0	47	95,0	62,5	699 - 886	16,30	42820

Machined bronze body, polished and chrome plated.



Fork swage terminal								
Product no.	W	P	D	C	T	B	L	Nominal weight
	mm	mm	mm	mm	mm	mm	mm	g
NFS3	3	6	6,3	12,5	6,2	39	70	20
NFS4	4	8	7,5	17	7,9	45	83	36
NFS5	5	9,5	9,1	19	9,9	52	97	64
NFS6	6	11	12,5	22	10,9	64	113	142
NFS7	7	12	14,3	25	12,7	70	128	172
NFS8S	8	12	16,0	25	12,7	80	140	196
NFS8M	8	14	16,0	28	13,8	80	144,5	278
NFS10	10	16	18,0	32	15,8	100	174	376
NFS12	12	19	21,4	38	17,8	132	227	1097
NFS14	14	22	25,0	45	22,0	156	258	1105
NFS16	16	25	28,2	50	25,0	176	295,5	1683
NFS19	19	28	34,5	58	28,2	210	342	2580
NFS22	22	32	40,3	64	31,8	242	391	3611
NFS26	26	35	45,9	70	34,8	290	451,5	5019

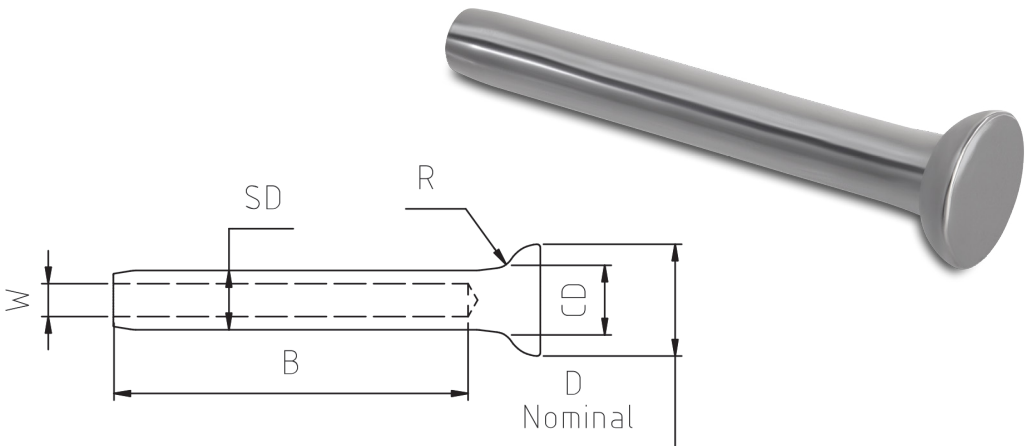
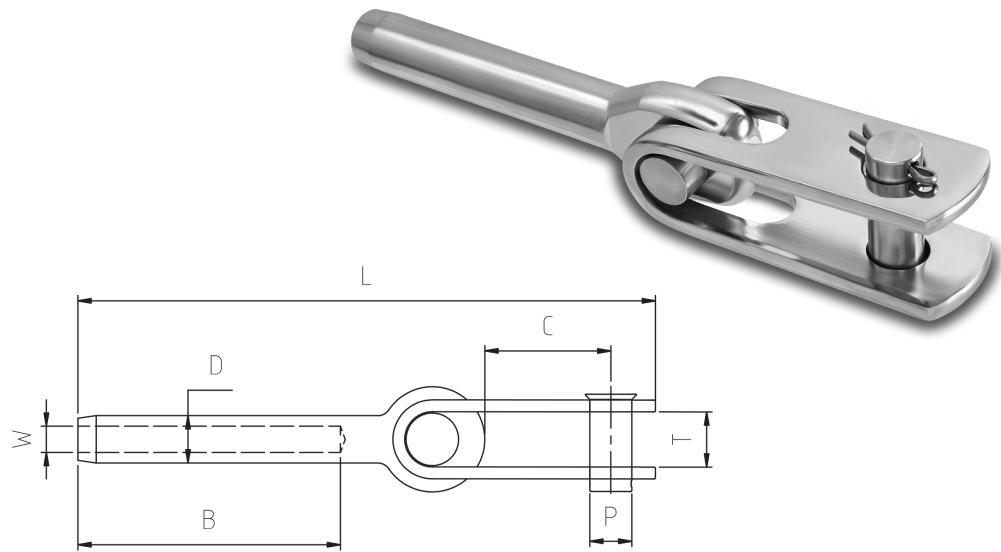
Machined from solid bar, no welds.



Eye swage terminal								
Product no.	W	H	B	D	C	T	L	Nominal weight
	mm	mm	mm	mm	mm	mm	mm	g
NES4	4	6,35	45	7,5	14	6,5	72	23
NES5	5	8,00	52	9,1	17	7,8	85	42
NES6S	6	9,53	64	12,5	20	9,5	103	100
NES6M	6	11,10	64	12,5	23	11,5	110	109
NES7	7	12,70	70	14,3	23	11,5	114	129
NES8S	8	12,70	80	16,0	23	11,5	123	152
NES8M	8	14,28	80	16,0	24	13,5	130	178
NES8L	8	16,00	80	16,0	29	15,0	134	202
NES10	10	16,00	100	18,0	29	15,0	155	245
NES12	12	19,05	132	21,4	34	17,5	197	462
NES14	14	22,20	156	25,0	40	21,5	235	721
NES16	16	25,40	176	28,2	46	23,5	264	1090
NES19	19	28,60	210	34,5	51	27,5	308	1780
NES22	22	32,00	242	40,3	58	31,0	356	2704
NES26	26	35,00	290	45,9	63	33,5	414	3855

Machined from solid bar, no welds.

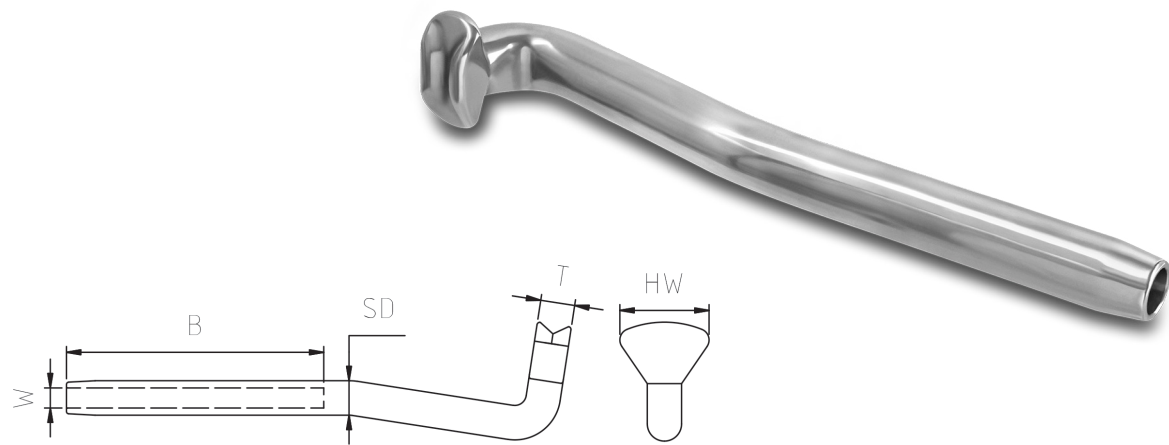
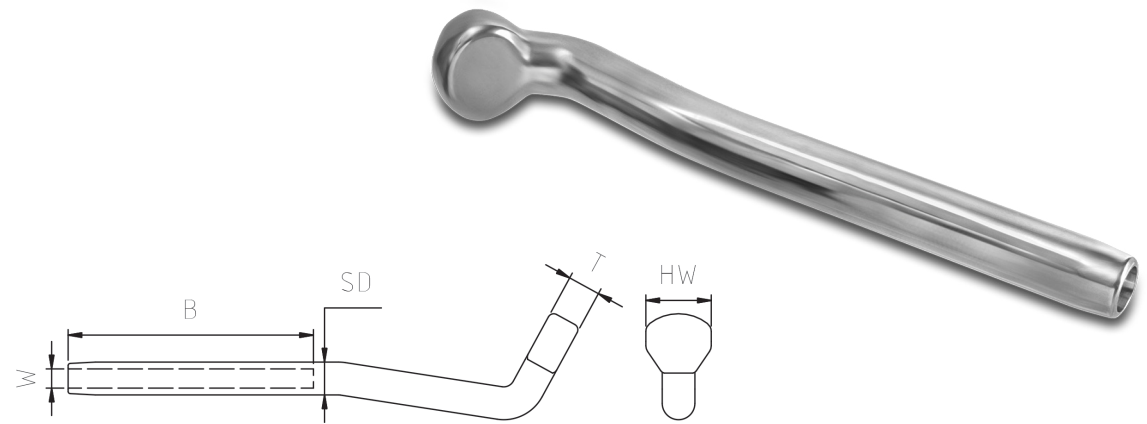
Toggle fork swage terminal								
Product no.	W	P	D	C	T	B	L	Nominal weight
	mm	mm	mm	mm	mm	mm	mm	g
NIFS3	3	6	6,3	14	8	39	84	25
NIFS4	4	8	7,5	18	9	45	103	45
NIFS5	5	9,5	9,1	21	11	52	111	89
NIFS6	6	11	12,5	25	13	64	146	230
NIFS7	7	12,7	14,3	27	15	70	168	271
NIFS8S	8	12,7	16,0	27	15	80	169	295
NIFS8M	8	16	18,0	36	19	100	212	569
NIFS10	10	16	18,0	36	19	100	212	569
NIFS12	12	19	21,4	45	22	132	278	1409
NIFS14	14	22	25,0	53	25	156	328	1912
NIFS16	16	25	28,2	62	28	176	364	2516
NIFS19	19	28	34,5	63	32	210	430	4147
NIFS22	22	32	40,3	76	35	242	496	6039
NIFS26	26	35	45,9	92	38	290	571	8428



Stemball swage terminal						
Product no.	W	D	B	R	SD	CD
	mm	mm	mm	mm	mm	mm
NSS3	3	12,5	39	6,4	6,3	6,8
NSS4	4	17	45	8,9	7,5	8,0
NSS5S	5	17	52	8,9	9,1	9,7
NSS5M	5	21	52	10,9	9,1	9,7
NSS6	6	21	64	10,9	12,5	13,4
NSS7S	7	21	70	10,9	14,3	15,3
NSS7M	7	27	70	13,9	14,3	15,3
NSS8	8	27	80	13,9	16,1	17,3
NSS10	10	31	100	15,8	17,8	19,1
NSS12	12	35	132	17,8	21,4	23,0

Machined from solid bar, no welds.

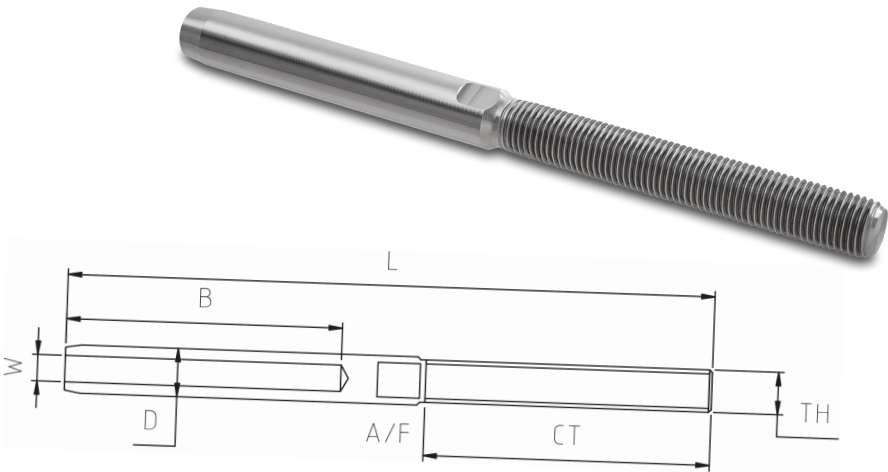
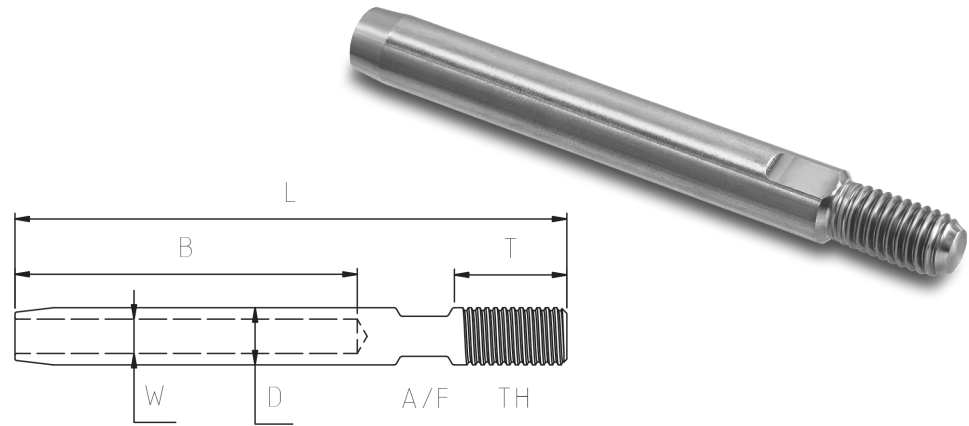
Mast shroud terminal					
Product no.	W	T	B	SD	HW
	mm	mm	mm	mm	mm
NMST3	3	6,3	39	6,3	12
NMST4	4	7,5	45	7,5	16
NMST5	5	9,1	52	9,1	19
NMST6	6	12,5	64	12,5	22
NMST7	7	14,3	70	14,3	28
NMST8	8	16,0	80	16,0	30
NMST10	10	17,8	100	18,0	32
NMST12	12	21,4	132	21,4	38



Mast T terminal					
Product no.	W	T	B	SD	HW
	mm	mm	mm	mm	mm
NMITT3	3	6,3	39	6,3	16,6
NMITT4	4	9,0	45	7,5	17,5
NMITT5	5	11,1	52	9,1	20
NMITT6	6	14,3	64	12,5	28
NMITT7	7	14,3	70	14,3	28
NMITT8	8	17,8	80	16,1	32
NMITT10	10	17,8	100	17,8	32

Lifetime short stud							
Product no.	W	TH	RH/LH	D	B	L	A/F
	mm			mm	mm	mm	mm
NLLS4	4	M8	RH	7,5	45	113	6
NLLS5	5	M8	RH	9,1	52	123	6

Product numbers are for RH thread. For LH thread add L to the product number (NLLS4L).

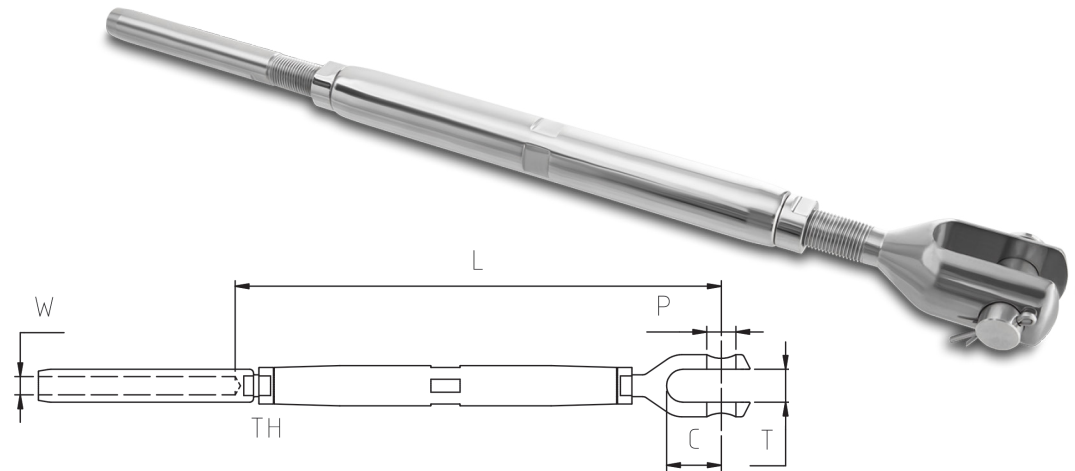


Lifetime long stud								
Product no.	W	TH	D	B	L	CT	A/F	Nominal weight
	mm		mm	mm	mm	mm	mm	g
NLL4S	4	M6	7,5	45	105	47	6	33
NLL4M	4	M8	7,5	45	113	54	6	36
NLL5S	5	M8	9,1	52	122	54	8	54
NLL5M	5	M10	9,1	52	135	68	8	60

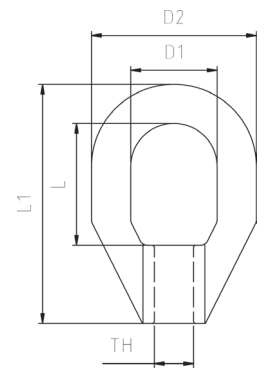
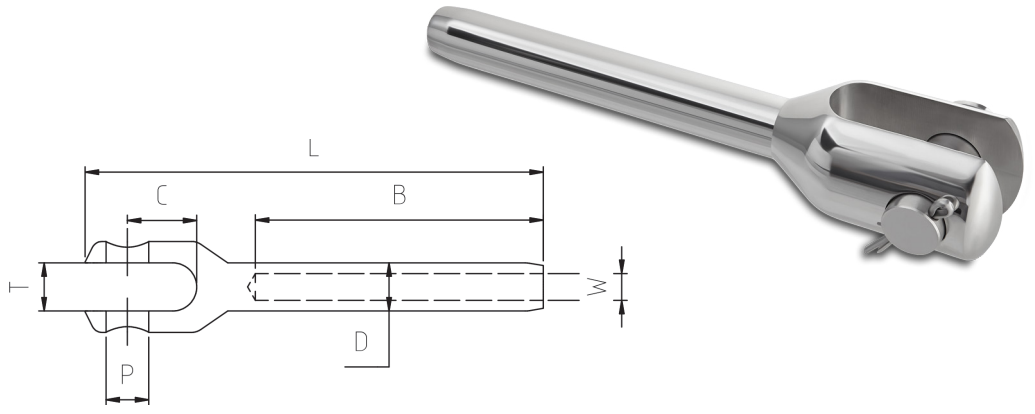
Product numbers are for RH thread. For LH thread add L to the product number (NLL4SL).

Lifetime rigging screw								
Product no.	W	TH	P	C	T	MIN L	MAX L	Nominal weight
	mm		mm	mm	mm	mm	mm	g
NLLR4S	4	M6	6,0	12,5	6,2	126,0	196,0	80
NLLR4M	4	M8	8,0	17,0	7,9	150,5	228,5	151
NLLR5S	5	M8	8,0	17,0	7,9	153,5	231,5	153
NLLR5M	5	M10	9,5	19,0	9,9	184,0	284,0	257

Machined from solid bar, no welds.

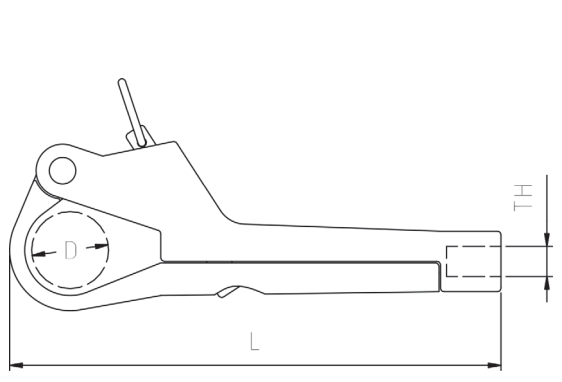
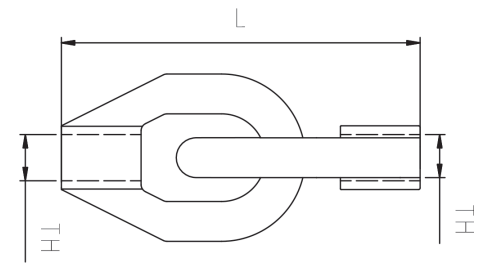


Lifeline fork swage terminal								
Product no.	W	P	D	C	T	B	L	Nominal weight
	mm	mm	mm	mm	mm	mm	mm	g
NLLF4	4	8,0	7,5	17,0	7,9	45	83,0	36
NLLF5	5	9,5	9,1	19,0	9,9	52	97,0	64



Lifeline single eye					
Product no.	TH	L	L1	D1	D2
		mm	mm	mm	mm
FLLSE8	M8	19	37	15	27

Lifeline double eye		
Product no.	TH	L
		mm
FLLDE8	M8	60



Lifeline pelican hook				
Product no.	TH	L	D	MBL
		mm	mm	kg
FLLP6	M6	75	18,5	570
FLLP8	M8	100	27	1030
FLLP10S	M10	125	35	1590
FLLP10M	M10	144	35	1590
FLLP12	M12	150	39	1750